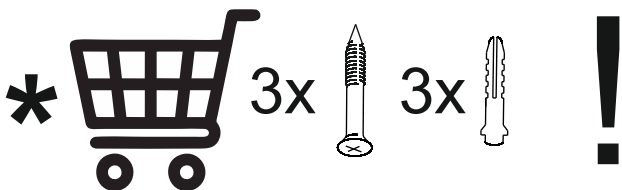
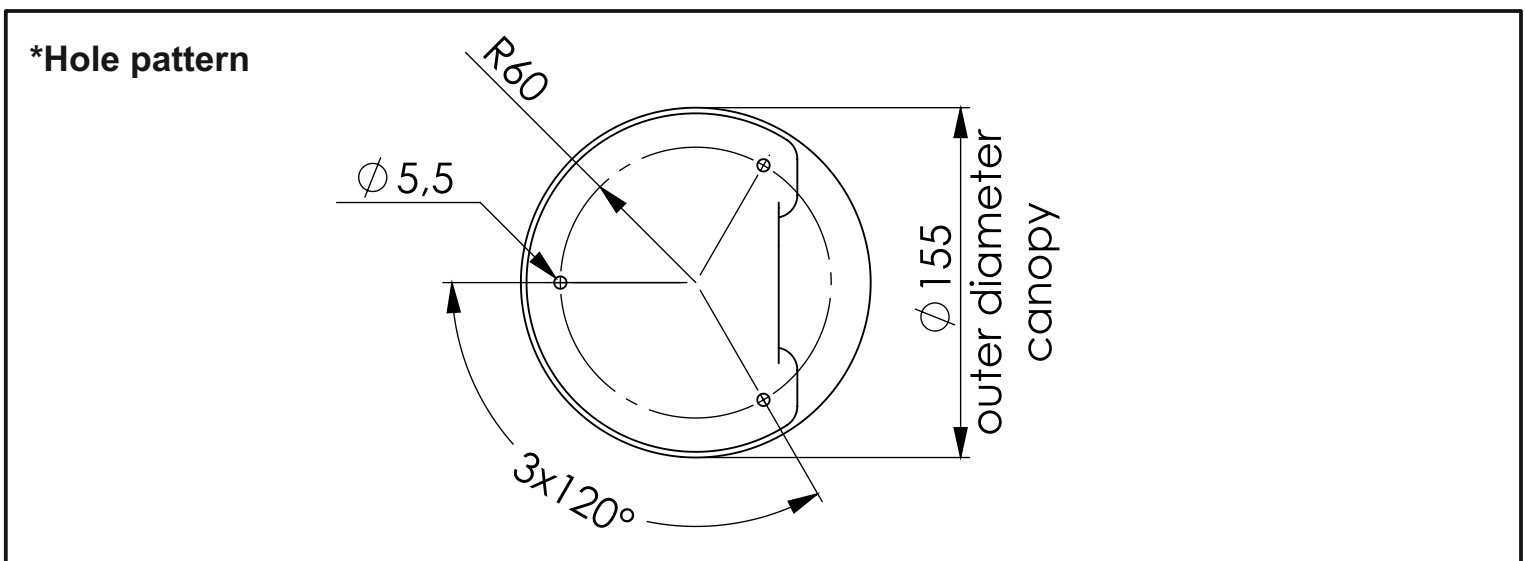
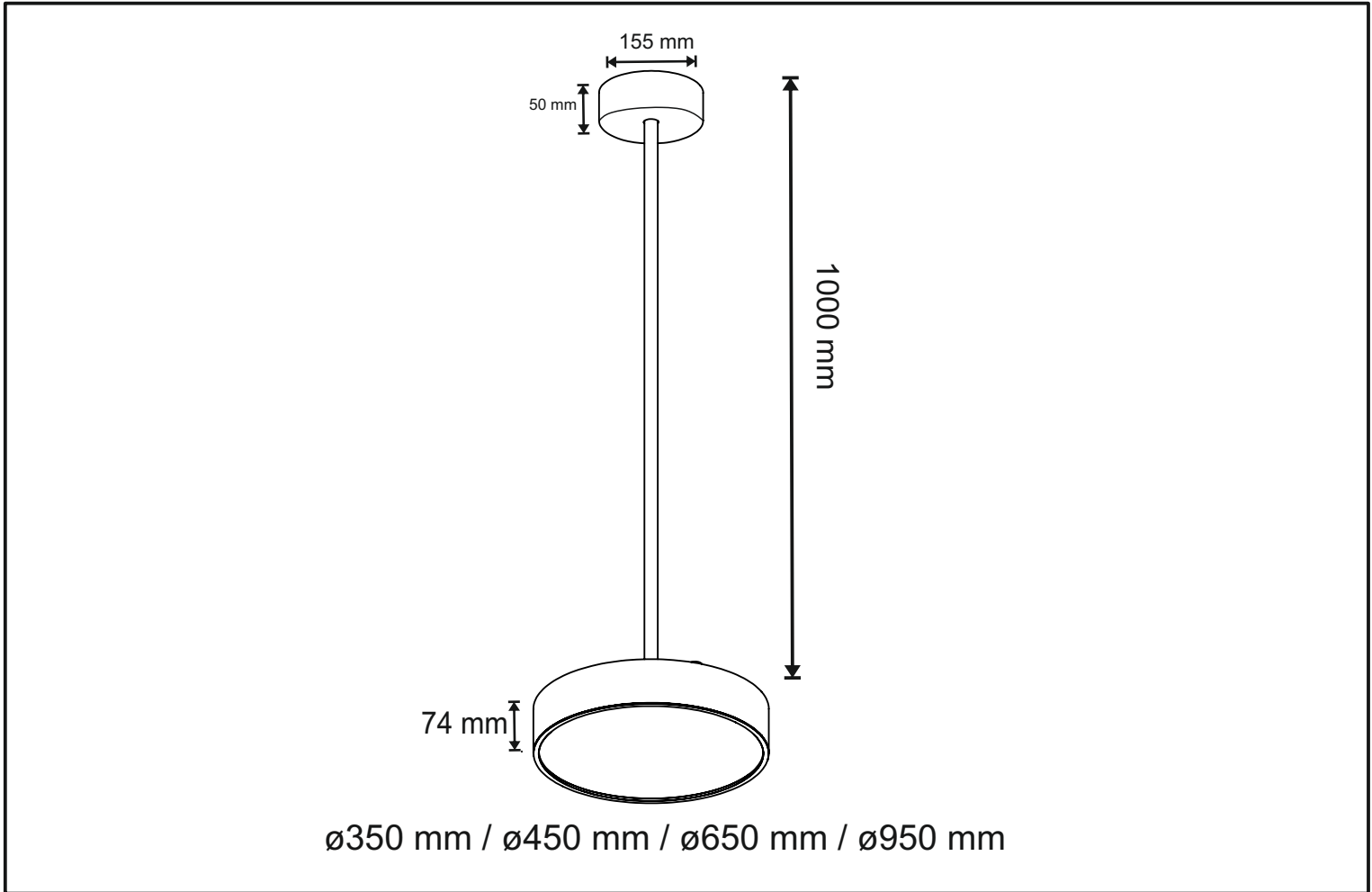
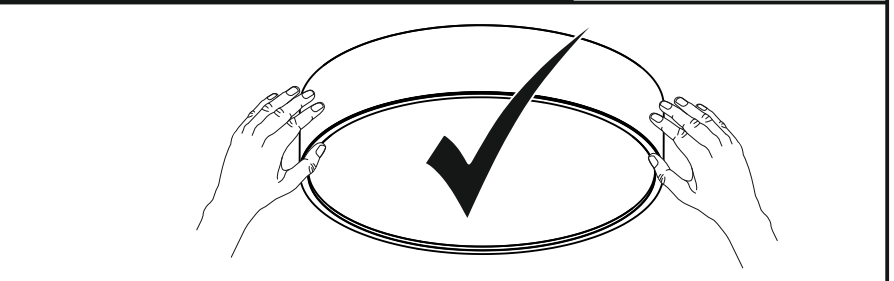
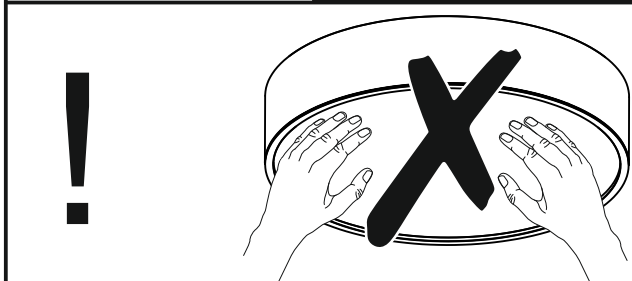
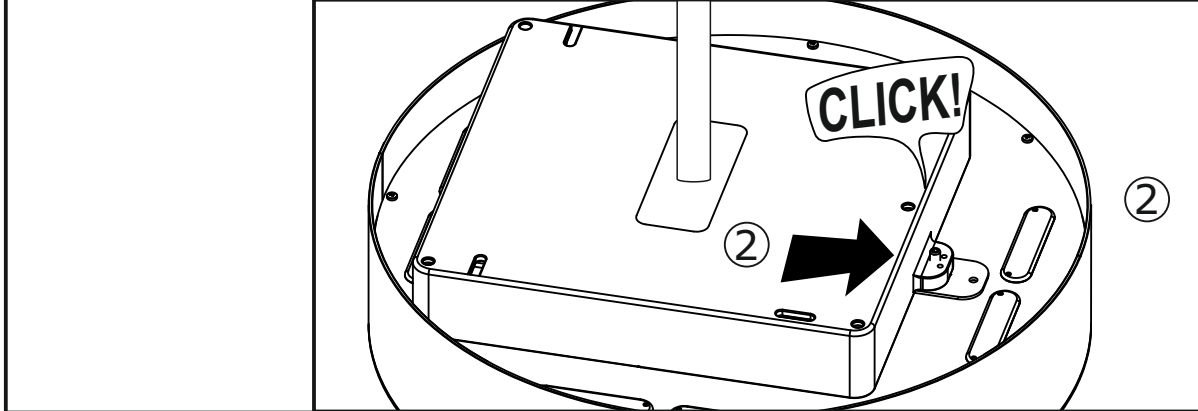
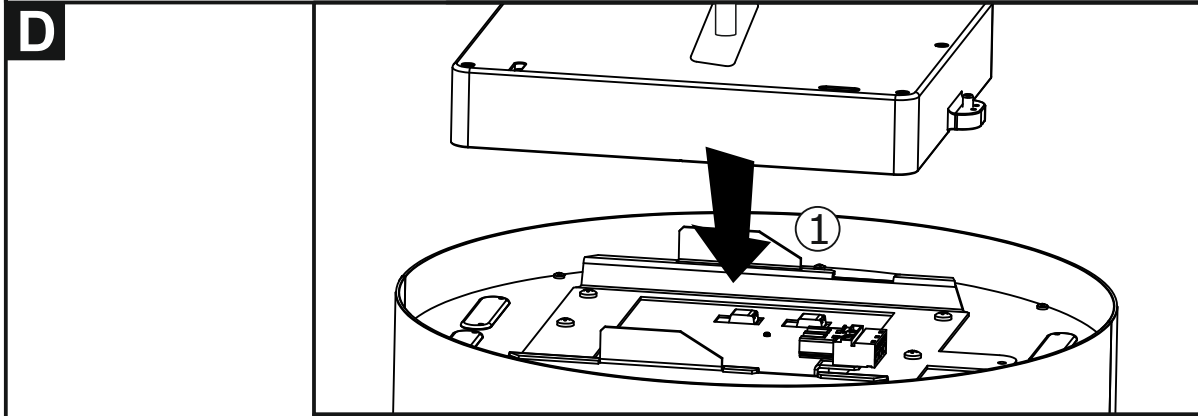
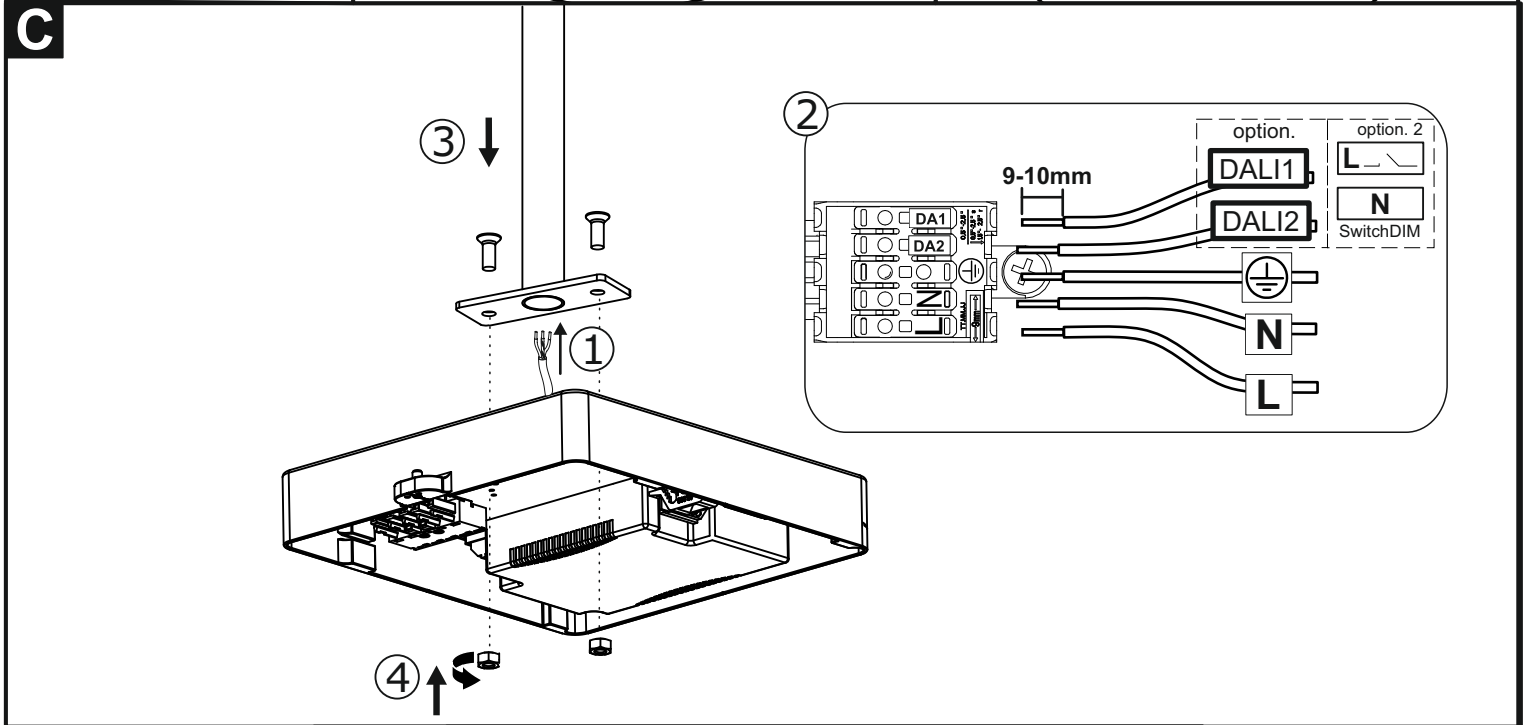
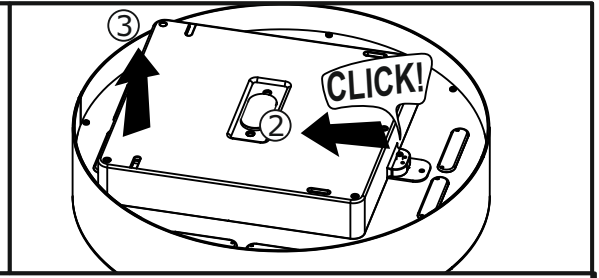
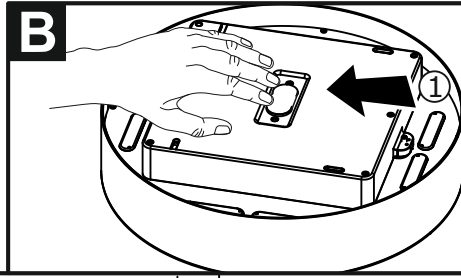
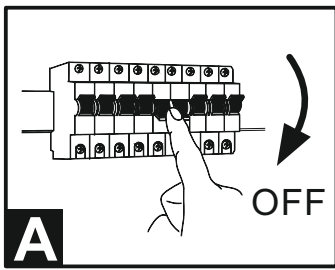
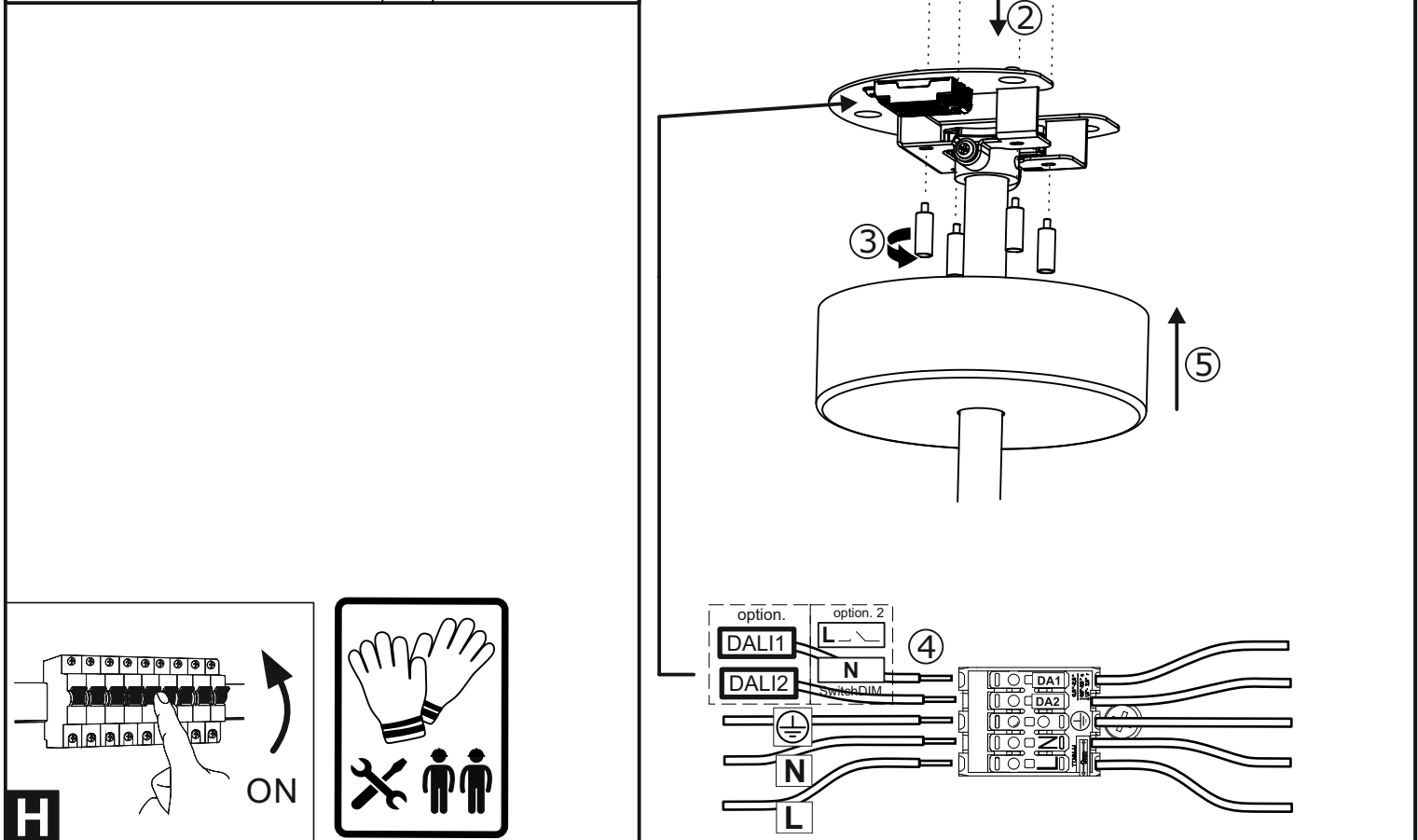
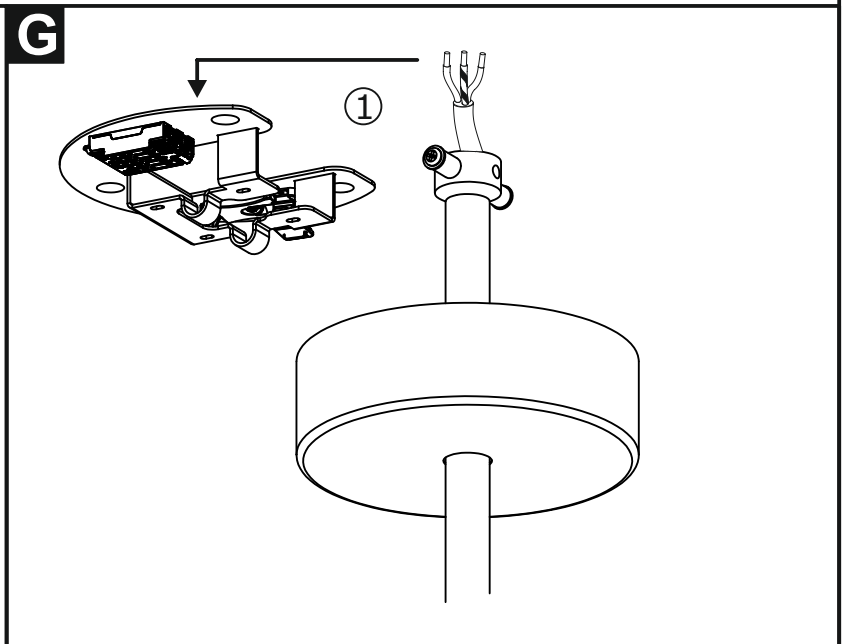
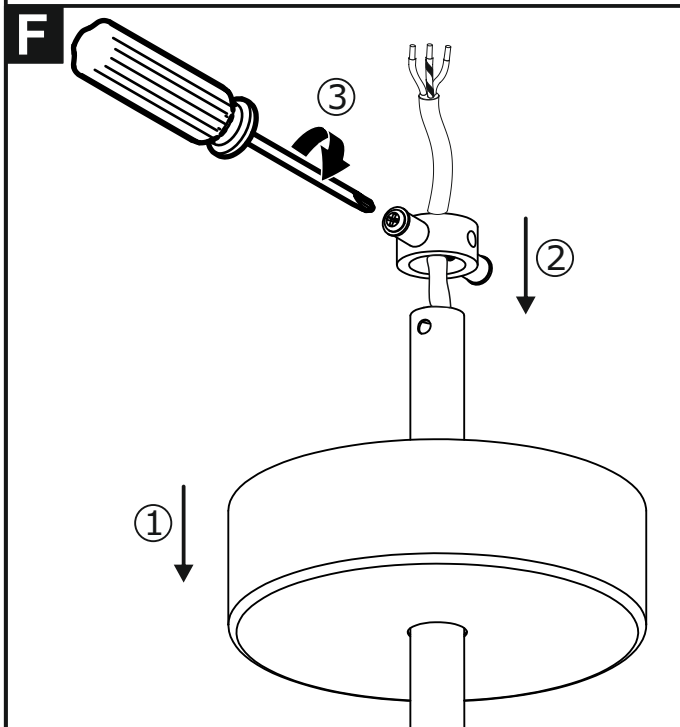
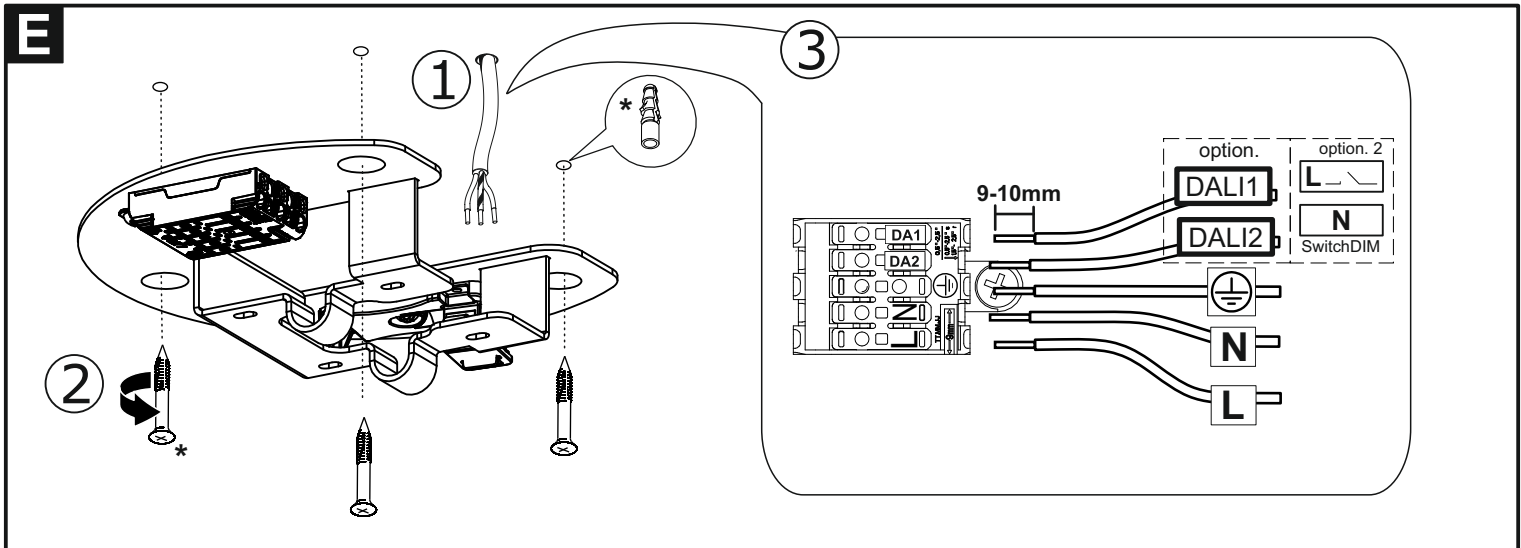


Pendant Rod Version "R"







Additional steps for rod shortening

