

Wiring manual

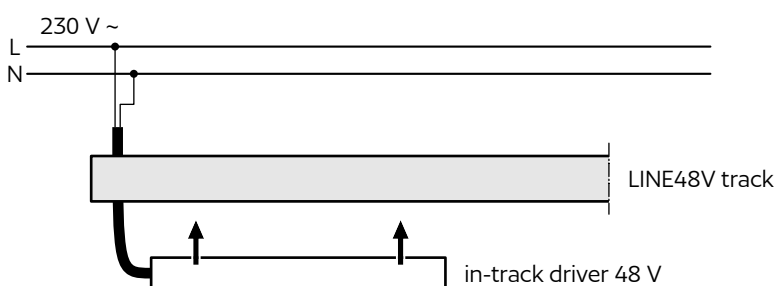
LINE48V low-voltage system

Product Code: 648*

ON/OFF

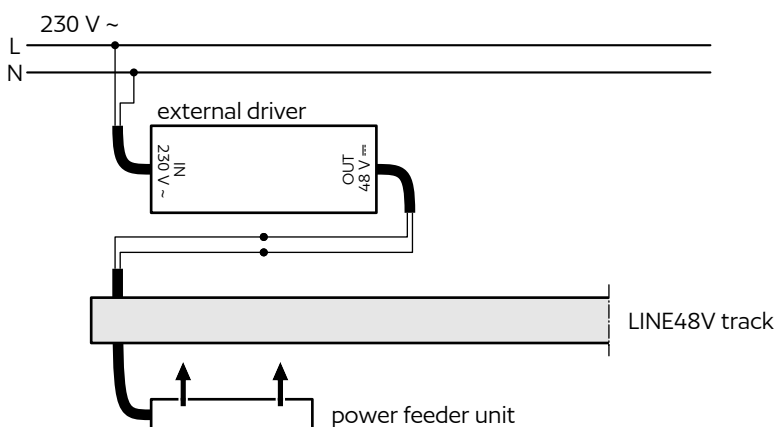
1. In-track driver

material number	power (W)	colour	cable length (mm)
69351	100	black	250
69353	100	white	250
69405	100	black	3000
69406	100	white	3000
69355	250	black	250
69357	250	white	250
69407	250	black	3000
69408	250	white	3000



2. External driver

material number	power (W)	colour	cable length (mm)
69677	60	white	-
69678	100	white	-
69679	200	white	-
69361	320	silver	300
69362	480	silver	300



power feeder unit

material number	colour	cable length (mm)
648TA-PF05-B	black	500
648TA-PF05-W	white	500
648TA-PF20-B	black	2000
648TA-PF20-W	white	2000



DALI

1. In-track driver + opto-isolator DALI

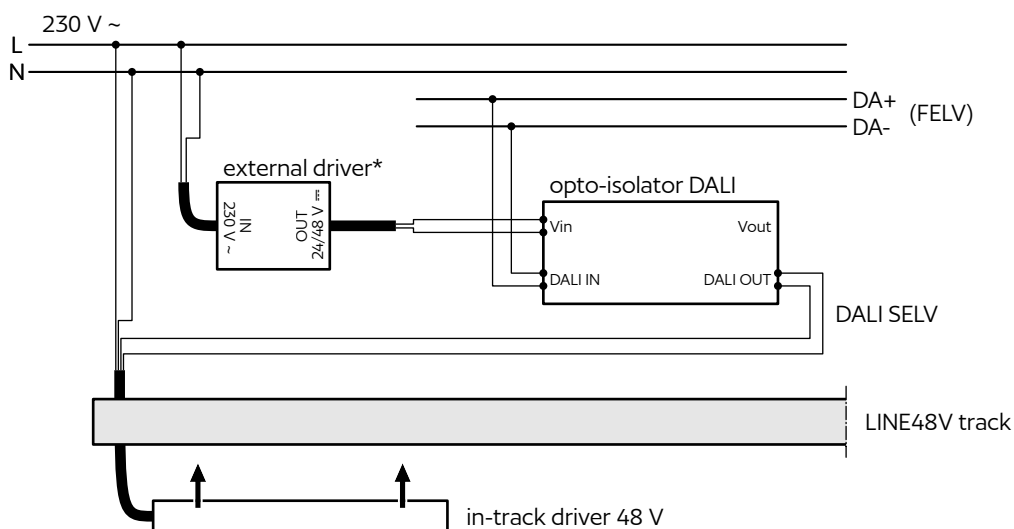
in-track driver

material number	power (W)	colour	cable length (mm)
69352	100	black	250
69354	100	white	250
69409	100	black	3000
69411	100	white	3000
69356	250	black	250
69358	250	white	250
69412	250	black	3000
69413	250	white	3000



opto-isolator DALI

material number	input voltage (Vdc)	max. power consumption (W)	output current DALI (mA)
69359	24	10	250
	48	10	250



external driver* (e. g.)

material number	power (W)	output voltage (Vdc)
69661	18	24



DALI

2. External driver + opto-isolator DALI

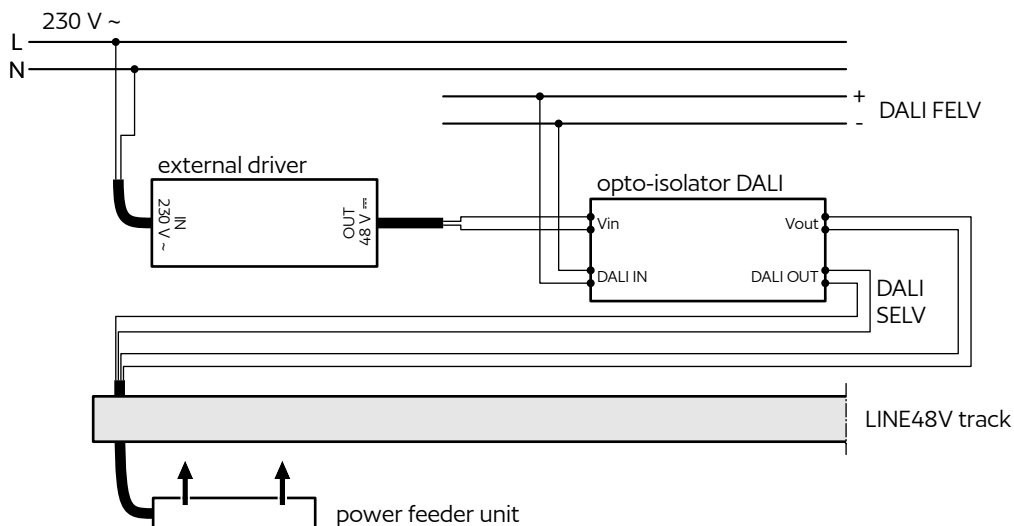
external driver

material number	power (W)	colour	cable length (mm)
69677	60	white	-
69678	100	white	-
69679	200	white	-
69361	320	silver	300
69362	480	silver	300



opto-isolator DALI

material number	input voltage (Vdc)	max. power consumption (W)	output voltage (Vdc)	output current DALI (mA)	max. current Vin – Vout (A)	max. power Vin – Vout (W)
69359	48	10	48	250	10	480



power feeder unit

material number	colour	cable length (mm)
648TA-PF05-B	black	500
648TA-PF05-W	white	500
648TA-PF20-B	black	2000
648TA-PF20-W	white	2000

